



Euclid Universal

A Kinetek Company

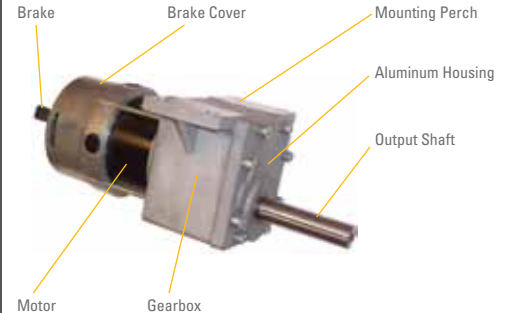
BM109 TRSP

traction drive

Medium duty, self-contained helical drive axle, including motor, gearbox and brake

Applications

- Floor care equipment
- Material handling
- Mobile medical equipment
- Aerial work platforms
- Load movers



Features

- Triple reduction
- Aluminum housing
- Hardened helical steel gearing
- Ball bearing construction
- Compact design
- PM motor for simple controlling
- Protection cover for optional parking brake
- Left and right hand versions
- Grease lubrication for life

Options

- Electro-mechanical parking brake
- Custom output shaft designs available
- Mounting options
- Left hand and right hand

Specifications

Ratio:	37:1
Load capacity:	800 lbs
Motor:	1/2 hp 24V
Output speed:	110 rpms
Output torque:	460 in-lbs @ 80 rpm
Output shaft:	Up to 1" OD maximum

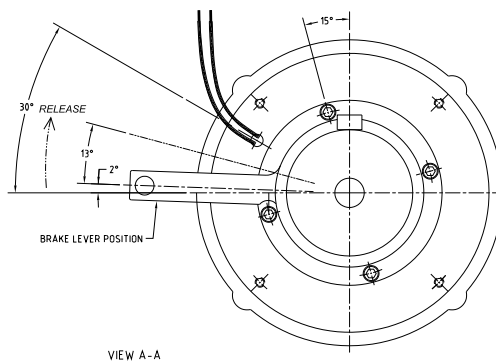
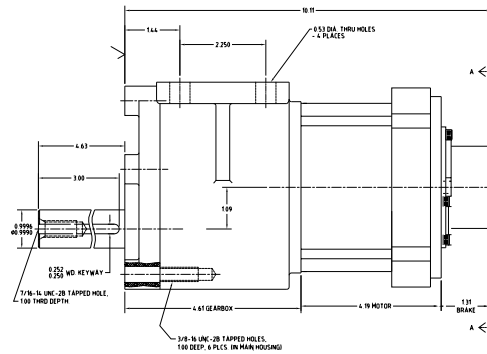
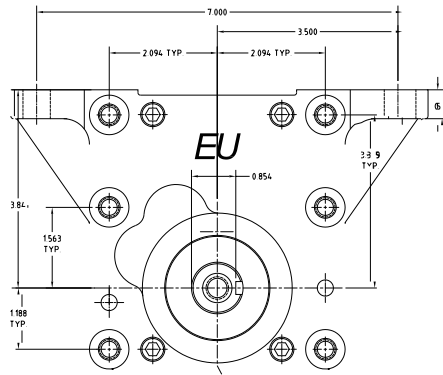
MADE TO ORDER, BUILT TO LAST

For the past 50 years, Euclid Universal has worked to establish its position as the global leader in the power transmission field. Working with diverse Original Equipment Manufacturers, Euclid designs and builds gear drive systems for special applications where off-the-shelf items will not fit or meet exacting rugged duty performance requirements. While the competition adapts drives originally designed for completely different purposes such as automotive windshield wipers and industrial conveyors, Euclid Universal produces gearmotors, gearheads, speed reducers and transaxles custom-made to meet the unique needs of each customer.

Our flexibility in engineering and production affords rapid response in design, prototype and production. Requirements for either low- or high-volume orders can be handled within our facility at competitive costs. We test for sound and vibration issues to assure pre-established requirements are met on each shipment.

BM109 TRSP

traction drive



Euclid Universal

A Kinetek Company

Euclid Universal Corporation
 30500 Bruce Industrial Parkway, Suite B
 Solon, OH 44135
 Phone 440-349-4083 / Fax 440-349-4894
www.kinetekinc.com

U.S. contact: Norm Zondervan
 zondervann@imperialelectric.com

European contact: Massimo Piazzi
 piazzi@kinetek-europe.com