

MC143C Right angle PMDC gearmotor

Right angle single reduction PMDC gearmotor

The MC143 is an economically priced compact, but rugged right angle worm gearmotor for those applications requiring a moderate duty gearmotor in a compact size. It is a conservatively designed workhorse. This tough face mounted gearmotor is available with a left or right handed configuration as well as double output shafts and will handle many applications, such as sirens, wheel chair lifts, broom drives, pumps, mixers, etc. The driven load can be connected by coupling, sprocket, pulley or gears. The gearmotor design incorporates integral motors directly mounted to the gearcase. Other design features include forged bronze worm wheel, hardened steel worm shaft, high tensile strength die cast aluminum alloy gearcase, ball and needle bearing construction with double lipped oil seals on the input and output shafts. When you have special requirements, these gearmotors will accept many modifications required for difficult applications.



Specifications

- Gear ratios: 12, 18, 25, 36, 46, 57:1 (worm gear designs)
- Motor voltages: 12, 48V DC
- Lubrication: Extreme pressure grease
- Operation: Bi-directional

Features

- 12 and 48 VDC permanent magnet, TENV motors
- Hardened steel and bronze gearing
- Ball and needle bearing construction
- Up to 5/8" OD output shaft
- 3-place M6 mounting pattern on 2.00" BC
- Corrosion resistant aluminum housing
- TENV PMDC field replaceable motors

Options

- Left and right hand outputs
- Custom output shafts
- Dual opposing outputs

Applications

- Wheelchair lifts
- Sirens
- Broom drive
- Down riggers
- Pumps



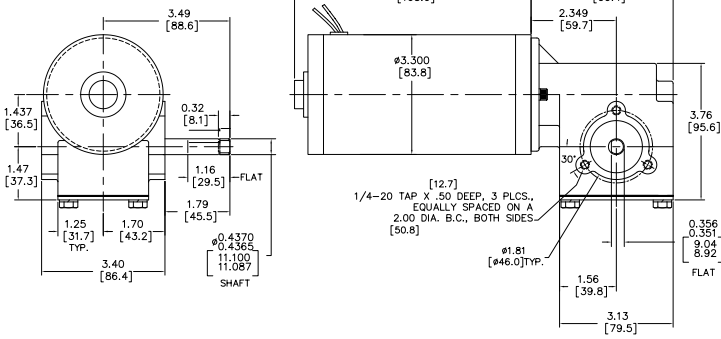
Euclid Universal®

A Kinetek Company®

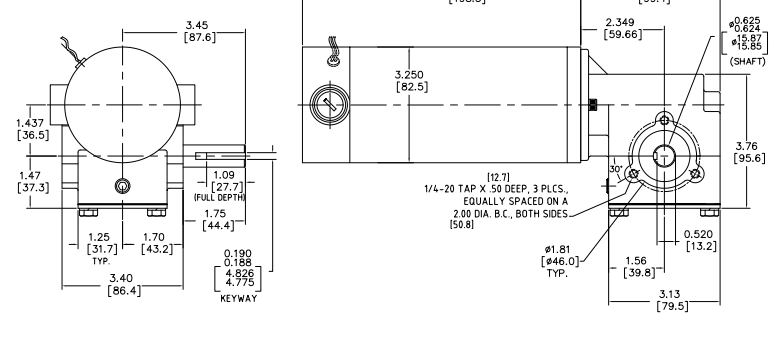
Euclid Universal
 30500 Bruce Industrial Parkway, Suite B
 Solon, OH 44139
 Phone: (440) 349-4083
 Fax: (440) 349-4894
 Email: sales@imperialelectric.com
 Web: eucliduniversal.com

Dimensions

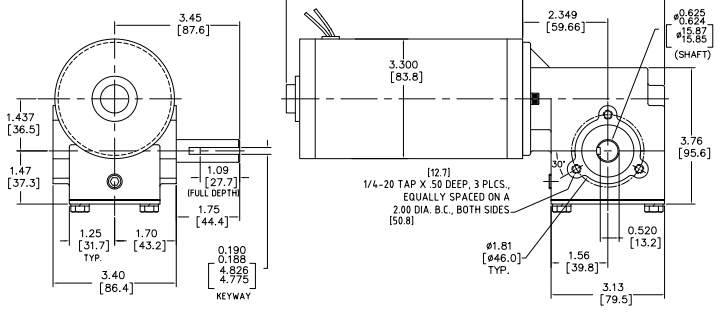
View A



View C



View B



Product Specifications

Part Number	Dimension View	Output RPM	Gear Ratio	Output Torque (in-lbs)	Input HP	Insul. Class	Voltage Frequency	Motor Frame	Motor Enclosure	Full Load Amps	Approx. Weight (lbs.)
MC143C4473C46	A	47	46:1	130	0.16	A	12VDC	31	TENV	12.7	7.8
MC143C6608C12	B	179	12:1	42	0.16	A	12VDC	31	TENV	12.7	8.1
MC143C6608C18	B	119	18:1	60	0.16	A	12VDC	31	TENV	12.7	8.1
MC143C6608C25	B	86	25:1	78	0.16	A	12VDC	31	TENV	12.7	8.1
MC143C6608C36	B	60	36:1	106	0.16	A	12VDC	31	TENV	12.7	8.1
MC143C6608C46	B	47	46:1	130	0.16	A	12VDC	31	TENV	12.7	8.1
MC143C6608C57	B	38	57:1	155	0.16	A	12VDC	31	TENV	12.7	8.1

Part Number	Dimension View	Output RPM	Gear Ratio	Output Torque (in-lbs)	Input HP	Insul. Class	Voltage Frequency	Motor Frame	Motor Enclosure	Full Load Amps	Approx. Weight (lbs.)
MC143C6618C12	C	108	12:1	85	0.2	H1	48VDC	32	TENV	4.5	12.5
MC143C6618C18	C	72	18:1	121	0.2	H1	48VDC	32	TENV	4.5	12.5
MC143C6618C25	C	52	25:1	150	0.2	H1	48VDC	32	TENV	4.5	12.5
MC143C6618C36	C	36	36:1	205	0.2	H1	48VDC	32	TENV	4.5	12.5
MC143C6618C46	C	28	46:1	250	0.2	H1	48VDC	32	TENV	4.5	12.5
MC143C6618C57	C	23	57:1	248	0.2	H1	48VDC	32	TENV	4.5	12.5