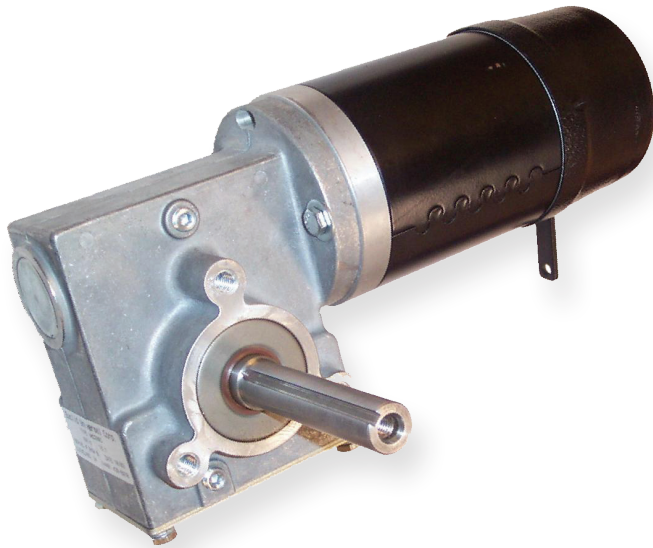


MC200C Right angle PMDC gearmotor

Right angle single reduction PMDC gearmotor

The MC200C is an economically priced compact, but rugged medium duty right angle worm gearmotor for those applications requiring excellent performance in a compact size. This tough face mountable gearmotor is available with a left or right handed configuration as well as double output shafts and will handle many applications, such as feeders, conveyors, transfer stations, pumps, printing presses, mixers, etc. The driven load can be connected by coupling, sprocket, pulley or gears. The gearmotor design incorporates integral motors directly mounted to the gearcase. Other design features include forged bronze worm wheel, hardened steel worm shaft, high tensile strength die cast aluminum alloy gearcase, tapered roller and ball bearings with double lipped oil seals on the input and output shafts. When you have special requirements, these gearmotors will accept many modifications required for difficult applications.



Features

- Low profile
- Hardened steel and bronze gearing
- Ball and tapered roller bearing construction
- Field replaceable motor
- Grease or oil lubrication for life
- Aluminum housing

Specifications

- Ratios: 5, 7.5, 12, 18.5, 25, 30, 36, 42, 48, 60:1
- Motor: 4" and 4.63" OD, 0.33–1.7 hp, TENV and OFC
- Output speed: 40-540 rpm
- Voltage: 24 and 36 VDC
- Lubrication: Synthetic oil/EP grease
- Output shaft: Keyed/tapped 3/4" OD
- Mounting: 3 bolt on 3.375" BC

Options

- Parking brake
- Output shaft configuration
- Hollow output option
- Motor terminals
- Left and right hand outputs
- Dual opposing output

Applications

- Floor care equipment
- Mobile medical equipment
- Door openers
- Mixers
- Specialty vehicles
- 1/4-scale locomotives
- Tugs

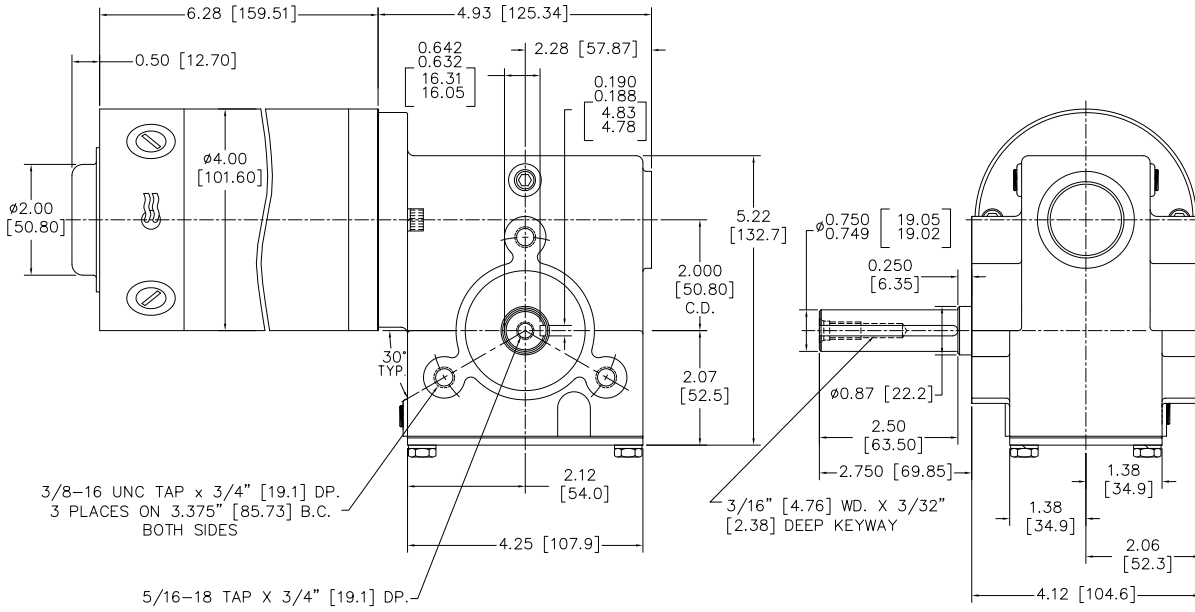


Euclid Universal®

A Kinetek Company®

Euclid Universal
 30500 Bruce Industrial Parkway, Suite B
 Solon, OH 44139
 Phone: (440) 349-4083
 Fax: (440) 349-4894
 Email: sales@imperialelectric.com
 Web: eucliduniversal.com

Dimensions



Product Specifications

Part Number	Output RPM	Gear Ratio	Output Torque (in-lbs.)	Input HP	Insul. Class	Voltage	Motor Frame	Motor Enclosure	Full Load Amps	Approx. Weight (lbs.)
MC200C6199C5	530	5:1	30	0.33	H1	24VDC	38	TENV	15	17.2
MC200C6199C7.5	353	7.5:1	45	0.33	H1	24VDC	38	TENV	15	17.2
MC200C6199C12	221	12:1	70	0.33	H1	24VDC	38	TENV	15	17.2
MC200C6199C18.5	143	18.5:1	102	0.33	H1	24VDC	38	TENV	15	17.2
MC200C6199C25	106	25:1	130	0.33	H1	24VDC	38	TENV	15	17.2
MC200C6199C30	88	30:1	151	0.33	H1	24VDC	38	TENV	15	17.2
MC200C6199C36	74	36:1	175	0.33	H1	24VDC	38	TENV	15	17.2
MC200C6199C42	63	42:1	187	0.33	H1	24VDC	38	TENV	15	17.2
MC200C6199C48	55	48:1	215	0.33	H1	24VDC	38	TENV	15	17.2
MC200C6199C60	44	60:1	250	0.33	H1	24VDC	38	TENV	15	17.2



Euclid Universal®

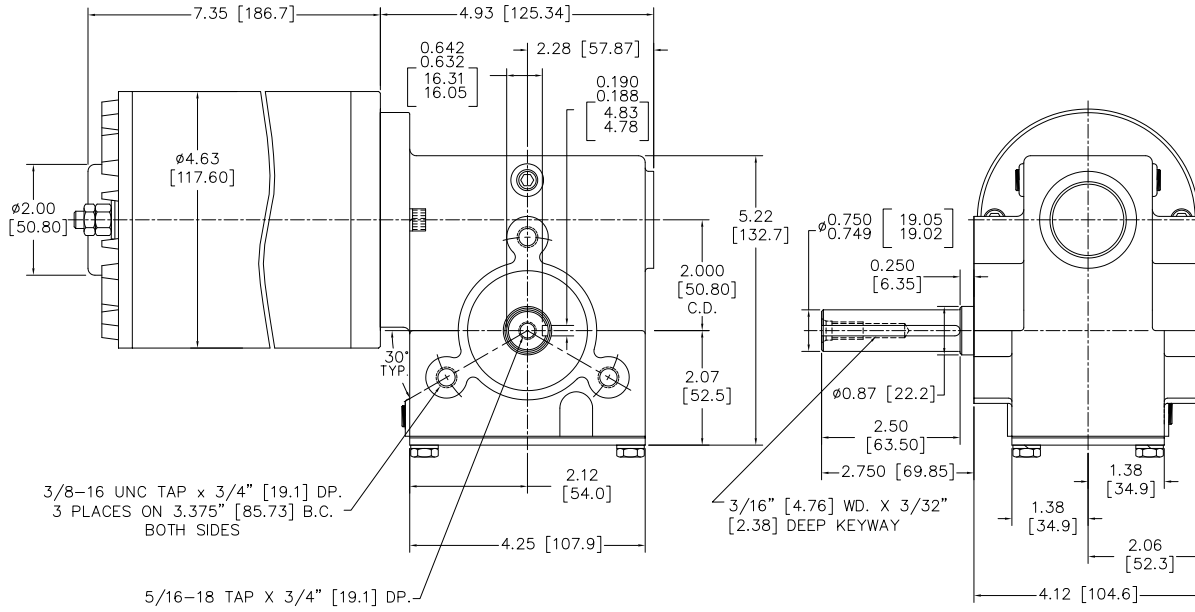
A Kinetek Company®

30500 Bruce Industrial Parkway, Suite B
Solon, OH 44139

Phone: (440) 349-4083
Fax: (440) 349-4894

Email: sales@imperialelectric.com
Web: eucliduniversal.com

Dimensions

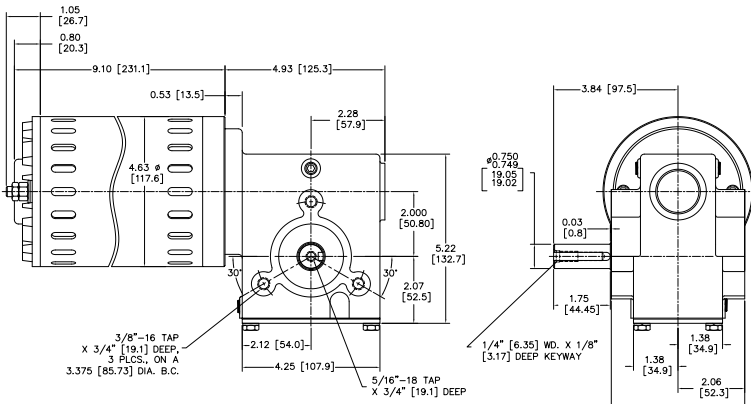


Product Specifications

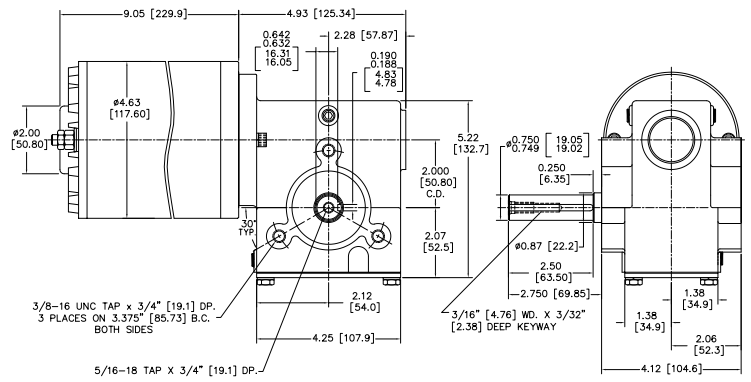
Part Number	Output RPM	Great Ratio	Output Torque (in-lbs.)	Input HP	Insul. Class	Voltage	Motor Frame	Motor Enclosure	Full Load Amps	Approx. Weight (lbs.)
MC200C6620C5	480	5:1	53	0.50	H	24VDC	42	TENV	19	21.2
MC200C6620C7.5	320	7.5:1	78	0.50	H	24VDC	42	TENV	19	21.2
MC200C6620C12	200	12:1	121	0.50	H	24VDC	42	TENV	19	21.2
MC200C6620C18.5	130	18.5:1	178	0.50	H	24VDC	42	TENV	19	21.2
MC200C6620C25	96	25:1	228	0.50	H	24VDC	42	TENV	19	21.2
MC200C6620C30	80	30:1	264	0.50	H	24VDC	42	TENV	19	21.2
MC200C6620C36	67	36:1	304	0.50	H	24VDC	42	TENV	19	21.2
MC200C6620C42	57	42:1	325	0.50	H	24VDC	42	TENV	19	21.2
MC200C6620C48	50	48:1	375	0.50	H	24VDC	42	TENV	19	21.2
MC200C6620C60	40	60:1	435	0.50	H	24VDC	42	TENV	19	21.2

Dimensions

View A



View B



Product Specifications

Part Number	Dimension View	Output RPM	Gear Ratio	Output Torque (in.-lbs.)	Input HP	Insul. Class	Voltage	Motor Frame	Motor Enclosure	Full Load Amps	Approx. Weight (lbs.)
MC200C4129C18.5	A	254	18.5:1	322	1.7	H	36VDC	42	OFC	45	23.5
MC200C4129C25	A	188	25:1	362	1.7	H	36VDC	42	OFC	45	23.5

Part Number	Dimension View	Output RPM	Great Ratio	Output Torque (in.-lbs.)	Input HP	Insul. Class	Voltage	Motor Frame	Motor Enclosure	Full Load Amps	Approx. Weight (lbs.)
MC200C6623C5	B	540	5:1	75	0.8	H	24VDC	42	TENV	30	28
MC200C6623C7.5	B	360	7.5:1	111	0.8	H	24VDC	42	TENV	30	28
MC200C6623C12	B	225	12:1	173	0.8	H	24VDC	42	TENV	30	28
MC200C6623C18.5	B	146	18.5:1	254	0.8	H	24VDC	42	TENV	30	28
MC200C6623C25	B	108	25:1	326	0.8	H	24VDC	42	TENV	30	28
MC200C6623C30	B	90	30:1	379	0.8	H	24VDC	42	TENV	30	28
MC200C6623C36	B	75	36:1	437	0.8	H	24VDC	42	TENV	30	28



Euclid Universal®

A Kinetek Company®

30500 Bruce Industrial Parkway, Suite B
Solon, OH 44139

Phone: (440) 349-4083
Fax: (440) 349-4894

Email: sales@imperialelectric.com
Web: eucliduniversal.com