

MC225 AC right angle gearmotor

Right angle, single reduction, single phase AC gearmotor

The MC225 is an economically priced, but rugged compact right angle worm gearmotor for those applications requiring a heavy duty gearmotor in a compact size. This tough universally mountable fractional horsepower workhorse will easily handle many applications, such as feeders, conveyors, transfer stations, pumps, printing presses, mixers, etc. right off the shelf. The driven load can be connected by coupling, sprocket, pulley or gears. The gearmotor design incorporates integral motors directly mounted to the gearcase. Other design features include, forged bronze worm wheel, hardened steel worm shaft, high tensile strength die cast aluminum alloy gearcase, tapered roller and ball bearings with double lipped oil seals on the input and output shafts. But when you have one of those special requirements, these gearmotors will accept many special modifications required for especially difficult applications.



Features

- TEFC motor construction
- Light weight die cast aluminum housing
- Tapered roller and ball bearing construction with universal mounting
- Gear oil lubrication
- Precision machined gearing for smooth, efficient, long life operation
- Multiple output speeds available
- Fully sealed gearbox

Specifications

- Bi-directional operation
- 1/3 and 1/2 hp models
- Voltage: 115/208/230 VAC
- Motor: 48F 1- phase
- Insulation class: B
- Ratios: 11:1, 18:1, 21:1, 26:1, 31:1, 39:1, 58:1
- Output speeds: 30-158 rpm
- Weight: 31 lbs.
- Agency approvals: UL/CSA

Options

- Ratio
- Motor HP
- Custom output shafts (per your specifications)
- High or low temperature modifications

Applications

- Printing press
- Pumps
- Conveyors
- Mixers
- Food processing
- Crane hoists
- Feeders
- Farm equipment
- Rotary screens
- Special machinery
- Amusement devices

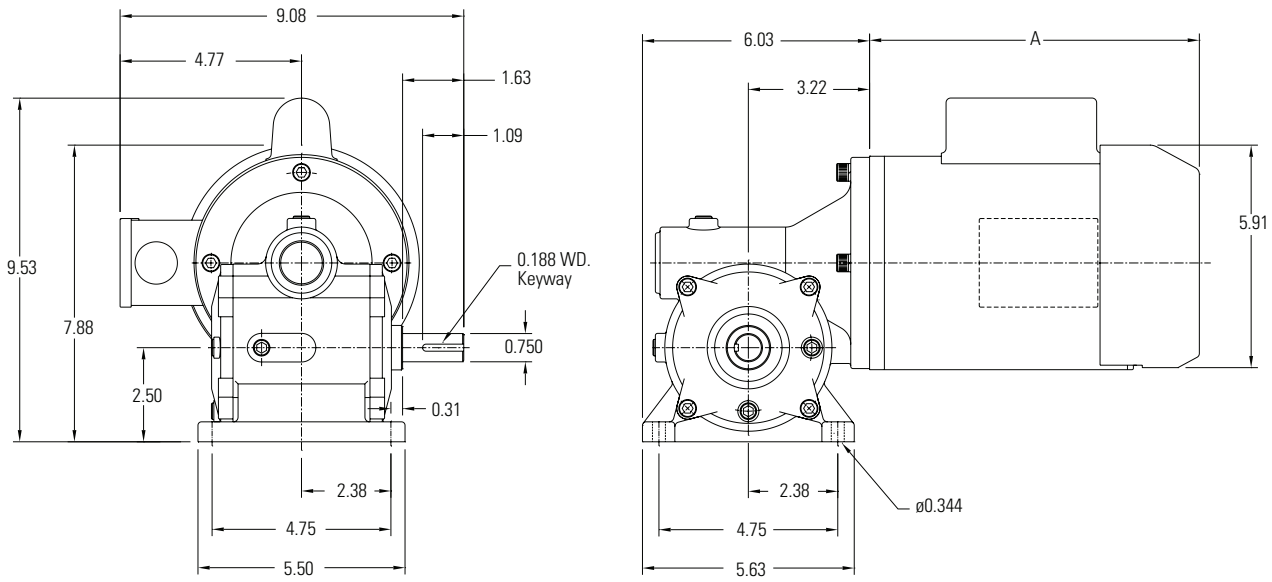


Euclid Universal®

A Kinetek Company®

Euclid Universal
 30500 Bruce Industrial Parkway, Suite B
 Solon, OH 44139
 Phone: (440) 349-4083
 Fax: (440) 349-4894
 Email: sales@imperialelectric.com
 Web: eucliduniversal.com

Dimensions



Note: May be ordered in left or right hand configuration (left hand shown).

Product Specifications

Class 1 (1.0) Service Factor

Model Number	Motor Frame	Phase	Voltage Frequency	Max Output Torque (in.-lbs.)	Full Load Output rpm @ 60Hz	Input HP	Ratio In:Out	Dimensional View	Dimensional Ref. A Inches (mm)	Motor Enclosure	F/L Amps	Output Shaft		Approx. Weight (lbs.)
												End Thrust (lbs.)	Overhung Load (lbs.)	
MC225E6527D1/3-58	48	1	115/208-230V 60Hz	381	30	1/3	58:1	Z	8.97 [228]	TEFC	5.6/2.8	335	670	32
MC225E6527D1/3-39	48	1	115/208-230V 60Hz	299	45	1/3	39:1	Z	8.97 [228]	TEFC	5.6/2.8	335	670	32
MC225E6527D1/3-31	48	1	115/208-230V 60Hz	254	56	1/3	31:1	Z	8.97 [228]	TEFC	5.6/2.8	335	670	32
MC225E6527D1/3-26	48	1	115/208-230V 60Hz	222	67	1/3	26:1	Z	8.97 [228]	TEFC	5.6/2.8	335	670	32
MC225E6527D1/3-21	48	1	115/208-230V 60Hz	189	83	1/3	21:1	Z	8.97 [228]	TEFC	5.6/2.8	335	670	31
MC225E6527D1/3-18	48	1	115/208-230V 60Hz	163	97	1/3	18:1	Z	8.97 [228]	TEFC	5.6/2.8	335	670	31
MC225E6527D1/2-39	48	1	115/208-230V 60Hz	456	45	1/2	39:1	Z	8.97 [228]	TEFC	6.6/3.3	335	670	31
MC225E6527D1/2-31	48	1	115/208-230V 60Hz	390	56	1/2	31:1	Z	8.97 [228]	TEFC	6.6/3.3	335	670	31
MC225E6527D1/2-26	48	1	115/208-230V 60Hz	344	67	1/2	26:1	Z	8.97 [228]	TEFC	6.6/3.3	335	670	32
MC225E6527D1/2-21	48	1	115/208-230V 60Hz	292	83	1/2	21:1	Z	8.97 [228]	TEFC	6.6/3.3	335	670	32
MC225E6527D1/2-18	48	1	115/208-230V 60Hz	254	97	1/2	18:1	Z	8.97 [228]	TEFC	6.6/3.3	335	670	31
MC225E6527D1/2-11	48	1	115/208-230V 60Hz	173	158	1/2	11:1	Z	8.97 [228]	TEFC	6.6/3.3	335	670	31

