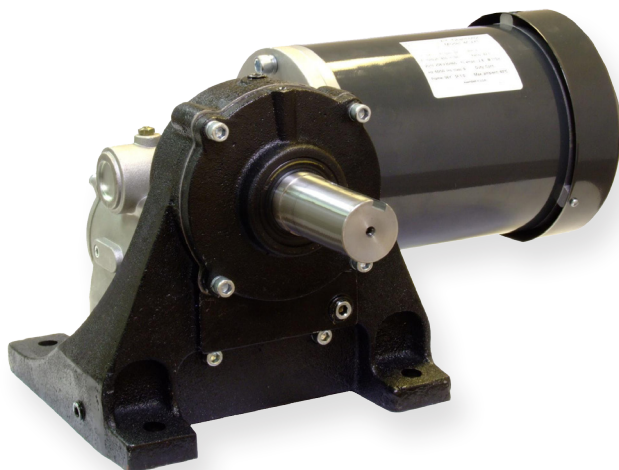


MC268DR AC right angle gearmotor

Right angle, double reduction, three phase AC gearmotor

The MC268DR is a double reduction right angle gearmotor with an output capacity up to 2,400 lb-in. It is designed for those applications needing a lower output speed and more torque. The MC268DR is an economically priced, but rugged torque dense right angle double reduction worm gearmotor. It is designed for those applications requiring a heavy duty gearmotor in a compact size. This tough universally mountable fractional horsepower workhorse will easily handle many applications, such as feeders, conveyors, transfer stations, pumps, printing presses, mixers, etc. right off the shelf. The driven load can be connected by coupling, sprocket, pulley or gears. The gearmotor design incorporates integral motors directly mounted to the gearcase. Other design features include tapered roller and ball bearings, forged bronze worm wheel, hardened steel worm shaft, high tensile strength die cast aluminum alloy gearcase, and double lipped oil seals on the input and output shafts. But when you have special requirements, these gearmotors will accept many special modifications required for your especially difficult applications.



Features

- TEFC motor construction
- Corrosion resistant aluminum primary and cast iron final gearbox housing
- Full ball bearing construction
- Gear oil lubrication - vented
- Precision machined gearing for smooth, efficient, long life operation
- Multiple output speeds available
- Several voltage options
- Oil seals on axle shafts for protection against dirt intrusion

Specifications

- Bi-directional operation
- 3/4, 1 and 2 hp models
- Voltage: 208/230/460 VAC
- Frequency: 50/60 Hz
- Motor: 56F 3-phase
- Insulation class: F
- Ratios: 25:1, 37:1, 47:1, 57:1
- Output speeds: 30-68 rpm
- Lubrication: Gear Oil
- Weight: 72 lbs.
- Agency approvals: UL/CSA
- Large 1.5" keyed output shaft

Options

- Ratio
- Motor HP
- Custom output shafts (per your specifications)
- High or low temperature modifications

Applications

- Printing press
- Pumps
- Conveyors
- Mixers
- Amusement devices
- Farm machinery
- Feeders
- Mechanical lifts

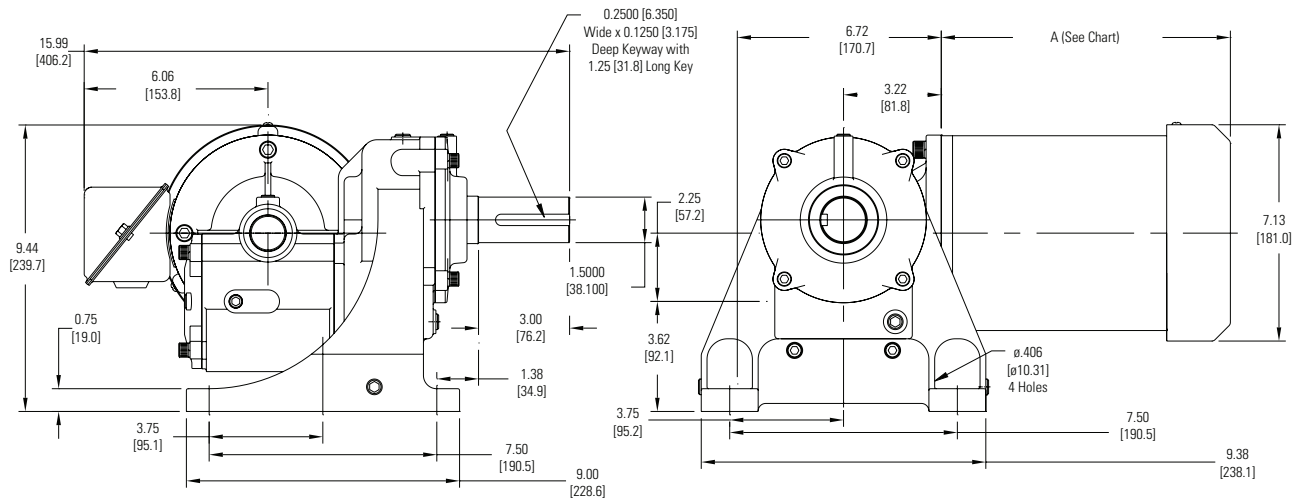


Euclid Universal®

A Kinetek Company®

Euclid Universal
 30500 Bruce Industrial Parkway, Suite B
 Solon, OH 44139
 Phone: (440) 349-4083
 Fax: (440) 349-4894
 Email: sales@imperialelectric.com
 Web: eucliduniversal.com

Dimensions



Note: May be ordered in left or right hand configuration (left hand shown).

Product Specifications

Class 1 (1.0) Service Factor

Part Number	Output rpm @ 60Hz	Ratio In:Out	Output Torque (in.-lbs.)	Input HP	Motor Phase	Voltage Frequency	Motor Frame	Motor Enclosure	F/L Amps	Output Shaft		Approx. Weight (lbs.)	Dimensional Ref. A Inches (mm)
										End Thrust (lbs.)	Overhung Load (lbs.)		
MC268E6531D3/4-57	30	57	1310	3/4	3	208-230/460V 50/60 Hz	56	TEFC	2.7-3.0/1.5	1044	883	72	9.53 (242)
MC268E6531D1-57	31	57:1	1740	1	3	208-230/460V 50/60 Hz	56	TEFC	3.4-3.4/1.7	1044	883	72	10.78 (274)
MC268E6531D1-47	37	47:1	1455	1	3	208-230/460V 50/60 Hz	56	TEFC	3.4-3.4/1.7	1245	883	72	10.78 (274)
MC268E6531D2-37	47	37:1	2410	2	3	208-230/460V 50/60 Hz	56	TEFC	6.4-6.3/3.2	1240	894	72	10.78 (274)
MC268E6531D2-25	70	25:1	1570	2	3	208-230/460V 50/60 Hz	56	TEFC	6.4-6.3/3.2	942	827	72	10.78 (274)