

# MSB100 Spiral bevel

## Right angle spiral bevel DC gearmotor

A compact, versatile and rugged right angle face mounted gearmotor that is 25-30% more efficient than conventional right angle worm gear designs. This results in more efficient use of battery energy, resulting in a longer run time per battery charge.

The MSB100 is available with several optional ratios, motors or face mountings and may be further modified to meet specific gearmotor requirements.



## Specifications

- Ratio: 8:1
- Motor: 0.5 – 1.25 hp
- Output Speed: 285–562 rpm output (per motor spec.)
- Output Shaft: Standard 0.75" keyed and tapped output shaft
- Mounting: Standard 3/8" – 16 (SG) typical mounting. Additional 3 place 3/8" – 16 mounting

## Features

- Low profile
- Hardened steel gears
- Ball bearing construction
- Viton output seal
- Field replaceable motor
- Grease lubrication for life
- Aluminum housing
- Durable Scott DC Power Products motor
- 25–30% more efficient than worm designs
- Increasing torque or decreasing amp draw will increase battery life

## Options

- Ratio
- Motor HP
- Custom output shafts (per your specifications)

## Applications

- Floor care equipment
- Mobile medical equipment
- Door openers
- Mixers
- Battery powered products

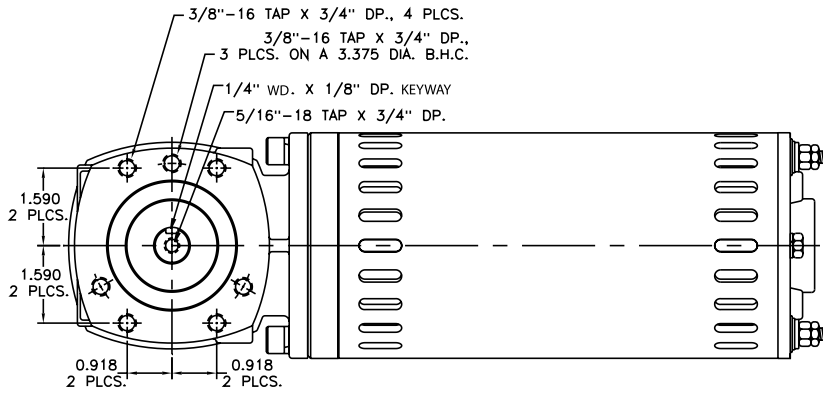
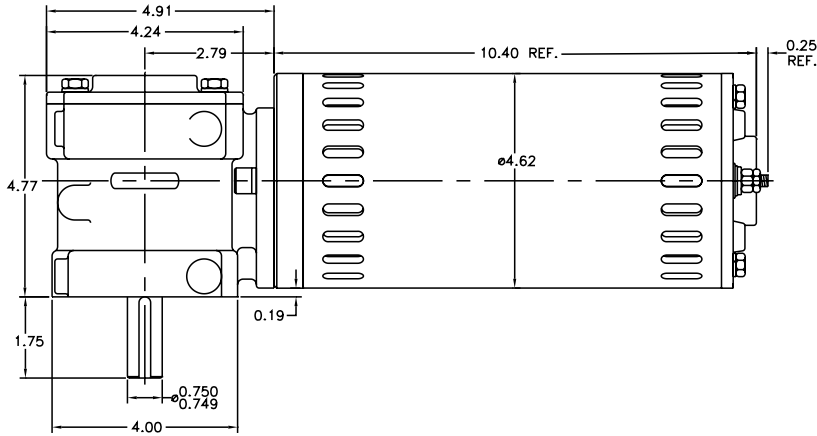


**Euclid Universal®**

A Kinetek Company®

Euclid Universal  
 30500 Bruce Industrial Parkway, Suite B  
 Solon, OH 44139  
 Phone: (440) 349-4083  
 Fax: (440) 349-4894  
 Email: sales@imperialelectric.com  
 Web: eucliduniversal.com

Dimensions



Efficiency vs. Torque

